



Blue Tops RF Modules > Amplifiers > Low Noise Filtered Amplifier LNFA

**Features:**

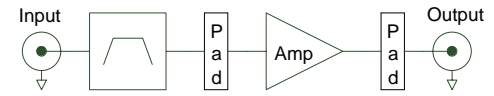
- Characterized Phase Noise
- Frequency to 8 GHz
- Plastic SMT and TO-8 Amps
- Integral Attenuators for Flexibility

**Applications:**

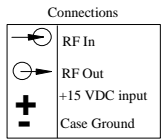
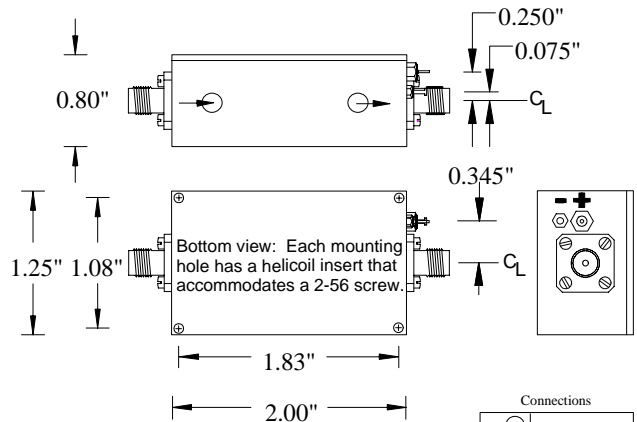
- Low Phase Noise Amplification
- Broadband Amplification



The LNFA is an amplifier module featuring a bandpass filter, an amplifier and attenuators integrated into a single package. The LNFA is ideal for applications requiring filtering of the input signal prior to amplification. The LNFA's integral 2-section BPF attenuates unwanted mixer products, harmonics and other undesired signals. A wide selection of amplifiers and customized attenuators provide flexibility in setting gain and signal levels. For convenience, our most popular amplifiers are offered as standard options or an alternative 4-lead Micro-X, SOIC-8 or TO-8 amp may be specified by the user. A 3 dB bandwidth typically 5 - 10% of the center frequency is standard. Input frequency depends upon the amplifier choice, with 1 GHz as the maximum for standard LNFA modules. Phase noise is verified at the design frequency when suitable low noise sources are available. Custom connector sex allows for direct connection with other Blue Tops, saving the cost of a cable. Please consult the factory for custom requirements.



LNFA Block Diagram



Typical Specifications:	
Frequency Range	5 MHz to 1 GHz
Gain (dB)	See Amp. Option Chart
Phase Noise	See Amp. Option Chart
VSWR	<2:1
Harmonics	<-25 dBc
Output Power	+13 to +27 dBm?
Input/Output Impedance	50 ohms
Supply Voltage	+15 VDC
Current, Max	250 mA
Dimensions	1.25 x 1.25 x 0.8"
Connectors	
Power	Feed-thru Capacitor
Ground	Turret Terminal
RF Input / Output	Female SMA

**Ordering Information:**

