



Crystal Oscillators > 4 to 30 MHz > Timekeeper OCXO

**Features:**

- Very Low Phase Noise
- Very Good Frequency Stability over Temperature
- Internal Voltage Regulator

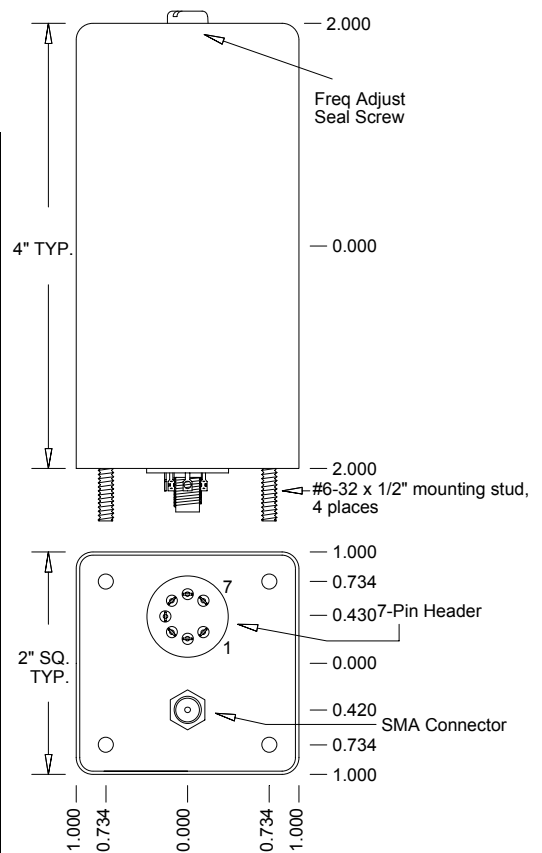
**Applications:**

- GPS Receivers
- Synthesizers

The Timekeeper is a very low noise source with temperature stability available to  $\pm 2 \times 10^{-9}$ . The unit is available in many connector configurations to provide industry standard packaging, and comes standard with thick foam insulation that reduces the power consumption and buffers the crystal from temperature changes. The unit also has an internal voltage regulator, which provides excellent line rejection. Please consult factory if you need any specifications to be modified to better suit your application.



Typical Specifications:				
Frequency (Specify)		4 to 30 MHz		
Frequency		5	10	MHz
Output Level		+13		
Aging		$\pm 1 \times 10^{-9}$ to $\pm 5 \times 10^{-10}$		
Phase Noise	10 Hz	-130	-135	-120
	100 Hz	-155	-160	-155
	1 kHz	-165	-165	-165
	10 kHz	-165	-165	-165
Temperature Stability (Specify)				
Range A	0 to +50C	$\pm 1.5 \times 10^{-8}$ to $\pm 2 \times 10^{-9}$	$\pm 1.5 \times 10^{-8}$ to $\pm 5 \times 10^{-9}$	
Range B	0 to +65C			
Range C	0 to +70C			
Range D	-20 to +70C			
Range E	-40 to +70C			
Range F	-55 to +85C			
Spurious		-80		
Harmonics		-30		
Electrical Tuning Range (Specify)				
Tuning A	0 to +10 VDC	$\pm 2 \times 10^{-7}$ to $\pm 2 \times 10^{-6}$		
Tuning B	$\pm 5$ VDC			
Supply Voltage (Specify)		+12 or +15		
Warm-up Power		5		
Total Power typical		2.2		
Crystal Type		SC		
Dimensions		51 x 51 x 19		
		2.0 x 2.0 x 4		
Connectors		SMA and Feedthrus BNC and Feedthrus		



Connector numbers are for reference only, they are not marked on unit.

PIN	FUNCTION
1	N/C
2	Case
3	0 Volts
4	+12V
5	+10 Reference Output
6	Electrical Tuning
7	0 Volts