



RF Systems & Synthesizers > Integrated Plate Sub-Assemblies > 81.25 MHz and 1.3 GHz Plate

**Features:**

- Ultra Low Phase Noise
- Phase Lockable
- Exceptional Sub-Harmonics and Spurious Content
- System can be reconfigured for other Specific Frequencies.

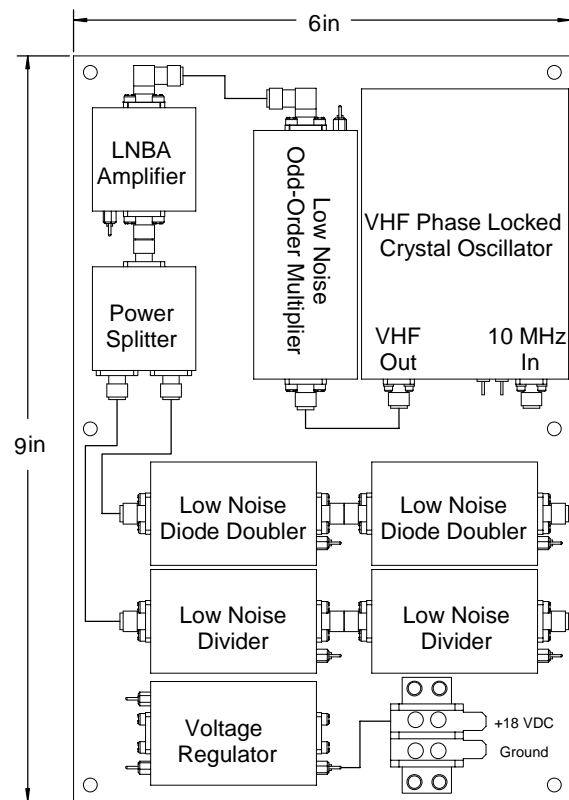
**Applications:**

- Noise Reference
- Frequency Reference
- System Integration

The 81.25 MHz, 1.3 GHz, and 1 GHz plate is comprised of one Ultra Low Noise Phase Locked Crystal oscillator (65 MHz), with which the two outputs are derived from. The unit includes several items from Wenzel's Blue Tops line of RF Modules as well, including amplifiers, multipliers, filters, etc. This system is setup to accept a 10 MHz input reference for easy synchronization.



Typical Specifications:			
Frequency	81.25 MHz & 1.3 GHz		
Input Frequency:	10 MHz, +5 to +12 dBm		
Output Frequency	81.25 MHz	1.3 GHz	
Output Level (dBm)	+13 +/- 2 dB	+13 +/- 2 dB	
Aging Per year after 30 days operating, typical	±1e-6	±1e-6	
Phase Noise dBc/Hz			
10 Hz	-93	-69	
100 Hz	-123	-99	
1 kHz	-154	-130	
10 kHz	-168	-144	
100 kHz	-168	-144	
Loop Bandwidth, Typ.	<1 Hz		
Temperature Stability 0 to +50°C	±5e-7		
Harmonics	<-25		dBc
Sub-Harmonics	<-50		dBc
Spurious	<-80		dBc
Supply Voltage	+18 +/- .5		VDC
Warm-up Power	<18		Watts
Total Power @ 25 °C	<14		Watts
Crystal Type	SC		
Dimensions	6 x 9 x 1		inches
Connectors	SMAs, female		



**Note: This system can easily be configured for other Specific Output Frequencies.**

**Please Consult Factory**