

REV	DATE	REVISION RECORD	DWN	AUTH
-	01-07-03	Draft	BH	
A	04-04-03	Title, phase noise, temp stability	SS	
B	10-29-03	Phase Noise, Temp. Stability	PAC	BB

OUTPUT

Frequency

80 MHz

Level

+13 ±2dB into 50 ohms

STABILITY

Aging

±1 x 10⁻⁶ per year
after 30 days operating, typical

Phase Noise L(f)

100 Hz -131 dBc/Hz
1 kHz -155 dBc/Hz
10 kHz -165 dBc/Hz
20 kHz -167 dBc/Hz

Temperature Stability

±1 x 10⁻⁷, 0° to +50°C (Ref +25°C)

MECHANICAL

Dimensions

2 x 2 x 0.75"

Connectors

SMA and feedthru capacitor

Packaging

Sealed steel can

POWER REQUIREMENTS

Warm-Up Power

<5 Watts for 5 minutes

Total Power

2.7 Watts at +25°C

Supply Voltage

+12 VDC

ADJUSTMENT

Mechanical Tuning

±4 x 10⁻⁶

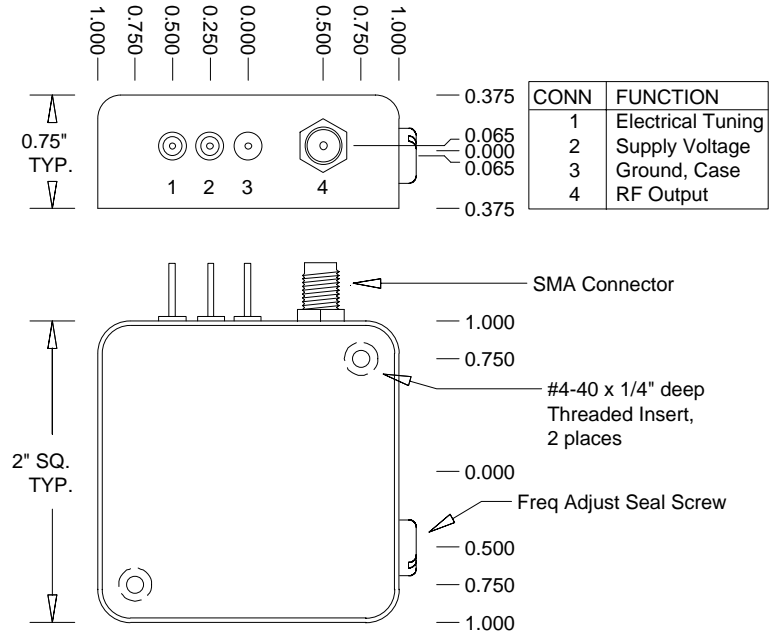
Electrical Tuning

±5 x 10⁻⁷, ±5 VDC
Negative Slope


CRYSTAL

Type

80 MHz SC-cut



Connector numbers are for reference only, they are not marked on unit.

 Wenzel Associates, Inc. Austin, Texas				
Title:				
Premium 80 MHz-SC Sprinter Crystal Oscillator				
P/N:	Rev:	Date:	Drawn:	Ref:
501-10295	B	10-29-03		
Tolerances: (except as noted) Dimensions are in inches	0.XX Dec: ±0.030"	0.XXX Dec: ±0.010"	FSCM: 62821	Page 1 of 1