

REV	DATE	REVISION RECORD	DWN	AUTH
-	02-21-95	Draft	BH	
A	02-20-96	Revise Can	BH	
B	12-23-97	Update Drawing	RR	
C	05-11-98	Update Drawing	KW	
D	08-30-00	Update Drawing	KP	KW

OUTPUT

Frequency

100 MHz

Level

+13 dBm ±2dB into 50 ohms

STABILITY

Aging

1 x 10⁻⁶ per year

after 30 days operating, typical

Phase Noise L(f)

100 Hz -120 dBc/Hz

1 kHz -150 dBc/Hz

10 kHz -165 dBc/Hz

20 kHz -165 dBc/Hz

Temperature Stability

±5 x 10⁻⁷, 0° to +50°C (Ref +25°C)

MECHANICAL

Dimensions

2 x 2 x 0.75"

Connectors

SMA and feedthru capacitor

Packaging

Sealed steel can

POWER REQUIREMENTS

Warm-Up Power

<5 Watts for 5 minutes

Total Power

<2.7 Watts at +25°C

Supply Voltage

+15 VDC

ADJUSTMENT

Mechanical Tuning

±4 x 10⁻⁶

Electrical Tuning

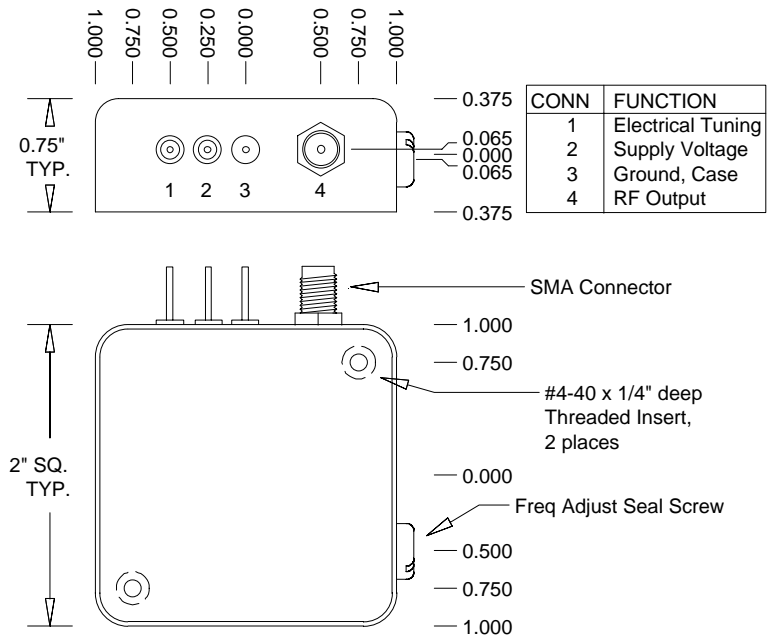
±5 x 10⁻⁷, ±5 VDC

Negative slope

CRYSTAL

Type

100 MHz SC-cut



Connector numbers are for reference only, they are not marked on unit.



Wenzel Associates, Inc.

Austin, Texas

Title:

Standard 100 MHz-SC Sprinter Crystal Oscillator

P/N:

501-04516

Rev:

D

Date:

08-30-00

Drawn:

Ref:

Tolerances:
(except as noted)
Dimensions are in inches

0.XX Dec:

±0.030"

0.XXX Dec:

±0.010"

FSCM:

62821

Page 1 of 1