

REV	DATE	REVISION RECORD	DWN	AUTH
-	05-18-01	Draft	KH	KW

OUTPUT

Frequency

10 MHz

Level

+13 ±2dBm into 50 ohms

STABILITY

Aging

1 x 10⁻⁹ per day
after 30 days operating, typical

Phase Noise L(f)

10 Hz -125 dBc
100 Hz -155 dBc
1 kHz -165 dBc
10 kHz -165 dBc

Temperature Stability

±1.5 x 10⁻⁸, 0° to +50°C (Ref +25°C)

MECHANICAL

Dimensions

2 x 2 x 1"

Connectors

SMA and feedthru capacitor

Packaging

Solder sealed steel can

POWER REQUIREMENTS

Warm-Up Power

<5 Watts for 5 minutes

Total Power

<2.2 Watts at +25°C

Supply Voltage

+12 VDC

ADJUSTMENT

Mechanical Tuning

±1 x 10⁻⁶

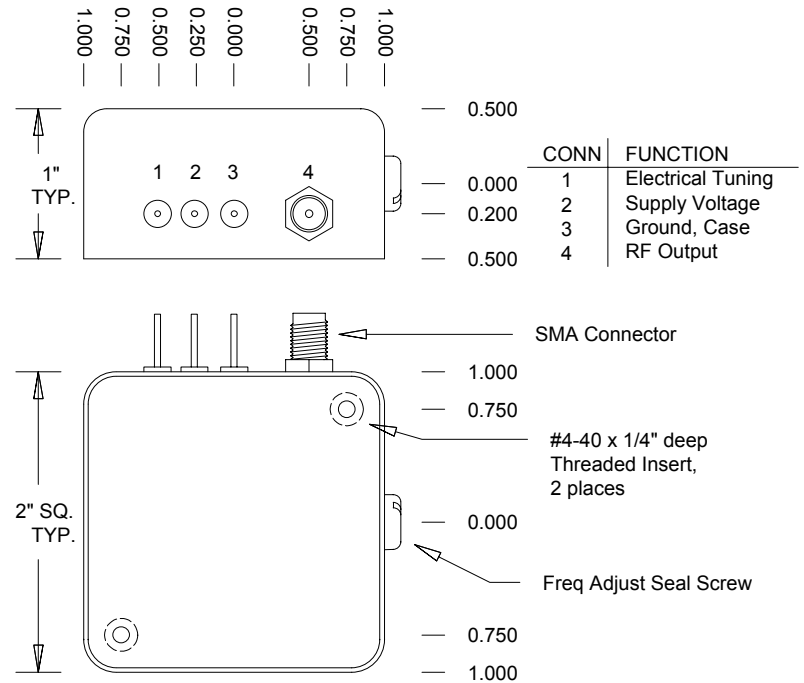
Electrical Tuning

±2 x 10⁻⁷, ±5 VDC
Negative slope

CRYSTAL

Type

10 MHz SC-cut



Connector numbers are for reference only, they are not marked on unit.



Wenzel Associates, Inc.

Austin, Texas

Title:

Standard 10 MHz-SC Streamline Crystal Oscillator

P/N:

501-08772

Rev:

-

Date:

05-18-01

Drawn:

Ref:

501-04608a

Tolerances:
(except as noted)
Dimensions are in inches

0.XX Dec:
±0.030"

0.XXX Dec:
±0.010"

FSCM:
62821

Page 1 of 1