

OUTPUT

Frequency

100 MHz

Level

+13 dBm ±2 dB into 50 ohms

STABILITY

Aging

1 x 10⁻⁶ per year

after 30 days operating, typical

Phase Noise L(f)

100 Hz -130 dBc/Hz

1 kHz -158 dBc/Hz

10 kHz -176 dBc/Hz

20 kHz -176 dBc/Hz

Temperature Stability

±2 x 10⁻⁷, 0° to +60°C (Ref +25°C)

MECHANICAL

Dimensions

1.75 x 2.94 x 1"

Connectors

SMA and solder pins on side

Packaging

Solder sealed steel can

POWER REQUIREMENTS

Warm-Up Power

<5 Watts for 5 minutes

Total Power

2.5 Watts at +25°C

Supply Voltage

+15 VDC

ADJUSTMENT

Mechanical Tuning

±4 x 10⁻⁶

Electrical Tuning

±2 x 10⁻⁷, ±5 VDC

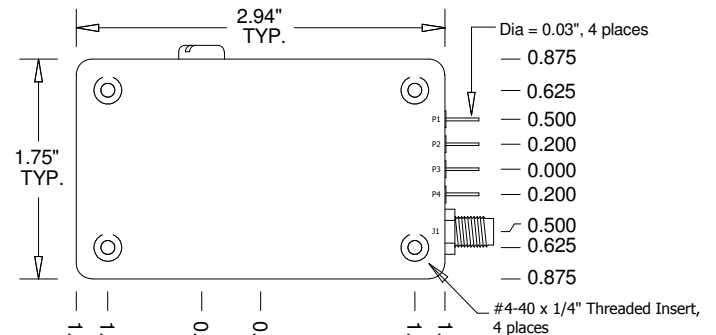
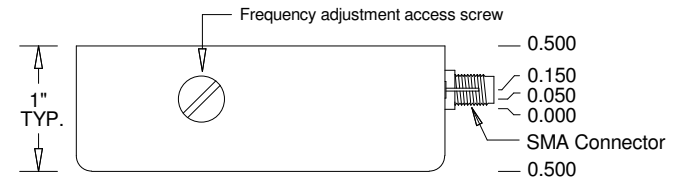
Negative slope

CRYSTAL

Type

100 MHz SC-cut

REV	DATE	REVISION RECORD	DWN	AUTH
-	11-14-06	Draft	YR	BH



Connector numbers are for reference only, they do not appear on unit.

Conn	Function
J1	RF Output
P1	N/C
P2	Electrical Tuning
P3	Supply Voltage
P4	Case Ground



Wenzel Associates, Inc.

Austin, Texas

Title: **Premium 100 MHz-SC Ultra Low Noise Crystal Osc.**

P/N: 501-16843	Rev: -	Date: 11-14-06	Drawn:	Ref:
--------------------------	------------------	--------------------------	--------	------

Tolerances: (except as noted) Dimensions are in inches	0.XX Dec: ±0.030"	0.XXX Dec: ±0.010"	FSCM: 62821	Page 1 of 1
--	-----------------------------	------------------------------	-----------------------	-------------