

INPUT**Frequency**

10 MHz GPS, sine

Input Level

+7 dBm ±5 dB into 50 ohms

OUTPUT**Frequency/Output Level**

10 MHz GPS (return), +7 dBm ±6 dB into 50 ohms

20 MHz; +13 dBm ±2 dB into 50 ohms

40 MHz; +13 dBm ±2 dB into 50 ohms

80 MHz; +13 dBm ±2 dB into 50 ohms

160 MHz; +13 dBm ±2 dB into 50 ohms

320 MHz; +13 dBm ±2 dB into 50 ohms

640 MHz; +13 dBm ±2 dB into 50 ohms

1280 MHz; +13 dBm ±2 dB into 50 ohms

2560 MHz; +13 dBm ±2 dB into 50 ohms

5120 MHz; +13 dBm ±2 dB into 50 ohms

10240 MHz; +13 dBm ±2 dB into 50 ohms

STABILITY**Aging (free-running)**1 x 10⁻⁶ first year after 30 days operating, typical5 x 10⁻⁷ second year, typical3 x 10⁻⁷ per year thereafter, typical**Phase Noise L(f), dBc/Hz, free-running**

	10 Hz	100 Hz	1 kHz	10 kHz	100 kHz
20 MHz	-110	-140	-160	-165	-165
40 MHz	-104	-134	-159	-165	-165
80 MHz	-100	-130	-158	-173	-174
160 MHz	-92	-122	-150	-165	-166
320 MHz	-86	-116	-144	-159	-160
640 MHz	-80	-110	-138	-153	-154
1280 MHz	-73	-103	-131	-146	-147
2560 MHz	-67	-97	-125	-140	-141
5120 MHz	-61	-91	-119	-133	-134
10240 MHz	-54	-84	-112	-127	-128

Temperature Stability±5 x 10⁻⁷, 0 to +50°C (Ref. +25°C), free-running**Harmonics**

≤ -25 dBc

Sub-Harmonics

≤ -60 dBc

PLL Divider Products

≤ -60 dBc

REV	DATE	REVISION RECORD	DWN	AUTH
-	03-03-14	Initial Release	PAC	

Spurious

≤ -80 dBc, excluding power supply line related spurs

POWER REQUIREMENTS**Supply Voltage**

+18 VDC ±5%

(Regulated to +15 VDC on plate)

Warm-Up Power

< 35 Watts for 10 minutes at +25°C

Total Power

< 29 Watts at +25°C

ADJUSTMENT**Loop BW (Locking to external 10 MHz reference)**

Target Bandwidth: ≤ 10 Hz

Type 2 Loop

CRYSTAL**Type**

80 MHz SC-Cut

MECHANICAL**Package**RF modules and oscillator mounted
on an aluminum plate**Dimensions**

12" x 18" x 3", max (Actual size TBD)

ConnectorsRF Input/Outputs: SMA(f), located on first/last module in string
DC Power: Terminal block**Mounting**

Thru holes on plate, 0.166" diam., 14 places

OTHER**Test Data**

Output Levels, Phase Noise

Harmonics, Subs, Products, Spurious

**Wenzel Associates, Inc.**

Austin, Texas

Title:

**20, 40, 80, 160, 320, 640, 1280, 2560, 5120 and 10240 MHz
PL Plate Assembly**

P/N:

501-26733

Rev:

-

Date:

03-03-14

Drawn:

Ref:

23914b

Tolerances:
(except as noted)
Dimensions are in inches

0.XX Dec:

±0.030"

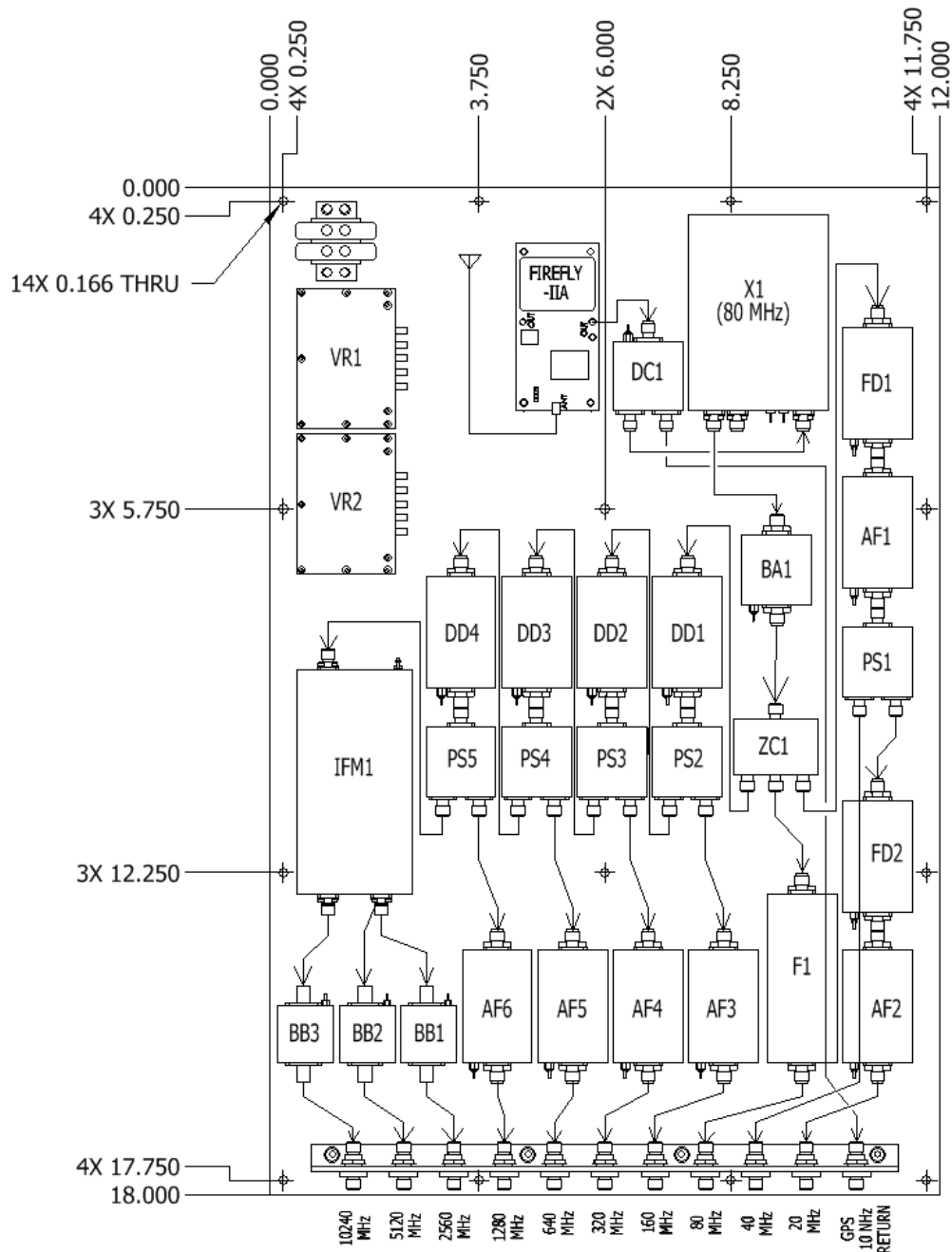
0.XXX Dec:

±0.010"

FSCM:

62821

Page 1 of 3



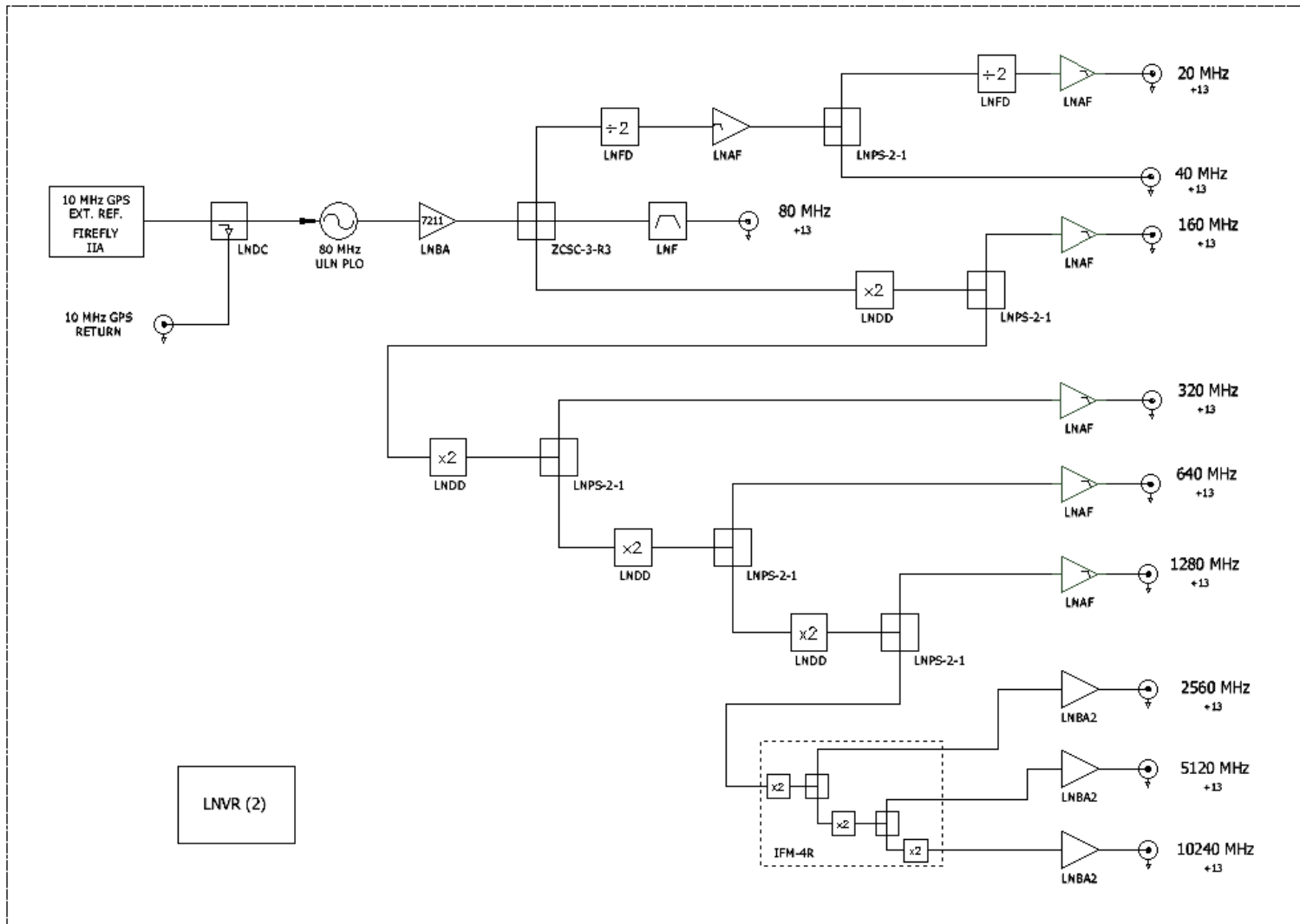
Wenzel Associates, Inc.

Austin, Texas

Title:
**20, 40, 80, 160, 320, 640, 1280, 2560, 5120 and 10240 MHz
 PL Plate Assembly**

P/N: 501-26733	Rev: -	Date: 03-03-14	Drawn:	Ref: 23914b
--------------------------	-----------	--------------------------	--------	----------------

Tolerances: (except as noted) Dimensions are in inches	0.XX Dec: ±0.030"	0.XXX Dec: ±0.010"	FSCM: 62821	Page 2 of 3
--	-----------------------------	------------------------------	-----------------------	---------------------------



Wenzel Associates, Inc.

Austin, Texas

Title:

**20, 40, 80, 160, 320, 640, 1280, 2560, 5120 and 10240 MHz
PL Plate Assembly**

P/N:

501-26733

Rev:

-

Date:

03-03-14

Drawn:

Ref:

23914b

Tolerances:
(except as noted)
Dimensions are in inches

0.XX Dec:

±0.030"

0.XXX Dec:

±0.010"

FSCM:

62821

Page **3** of **3**